

HIOS®

for DC Screwdrivers Power Supply

T-45BL

Operation Manual

(July 2017) No.ET-A014 17A

HIOS Inc.

1-16-5 Akiyama, Matsudo City, Chiba Pref., Japan
TEL: +81-47-392-2001 / FAX: +81-47-392-7773

Please read this operation manual carefully and use the T-45BL properly.

A Place to Install the T-45BL

- The unit should be used in a temperature and humidity-controlled room. Keep the unit away from a place with poor ventilation, in dust or metal pieces.
- Do not place any objects on the unit.
- The place to install the unit should be vibration-free and the unit should be securely fixed. If the unit is installed on the wall or on a high place, make sure to use the attached Mounting Bracket to fix it securely.
- Do not install the unit close to high voltage equipments.

Operating Precautions

- Install a leakage breaker and safety breaker on the input power source and connect the ground to use the unit.
- Connect to a power source of the specified voltage.
- Do not use with other drivers or devices except the models listed in this operation manual.
- If the protection circuit works due to overheat, stop operation immediately, pull the power plug from the outlet and send it back to your HIOS distributor for repair.
- The unit may automatically stop in use when the protection circuit works due to overcurrent, etc. Turn off the power switch once and turn it on in 5 sec for restart. If the unit stops while in screw fastening, make sure to check the torque of the fastened screw.
- Do not disassemble or modify the unit.
- Do not drop the power Supply or subject it to violent impact.
- Do not drag the unit by its driver cord or AC cord. Keep the cords away from foreign objects, oil or something sharp.
- Make sure to grasp the plug section to disconnect the AC cord from the outlet.
- Turn the unit off and disconnect the AC cord from the outlet when the unit is not in use.
- IMPORTANT SAFETY INSTRUCTIONS-SAVE THESE INSTRUCTIONS.
- DANGER-TO REDUCE THE RISK OF FIRE OR ELECTRIC SHOCK. CAREFULLY FOLLOW THESE INSTRUCTIONS.

Selection of Power Supply Cord:

Use in U.S.A. - Use UL Listed detachable power supply cord, No.18AWG,3 conductors, flexible cord, rated 10A, VW-1, 80°C, minimum 1.8 m, maximum 3 m long. Provided with a molded-on, non-polarized attachment plug with a 15A, 125V (NEMA5-15P) or 15A, 250V (NEMA 6-15P) configuration and a molded-on connector which mates with the Power Inlet.

The following flexible cord type may be used: S, SE, SO, SP-3, SPT-3, ST,STO, SJ, SJE, SJO, SJT, SJTO, SP-2, SPE-2, SPT-2, SV, SVE, SVT. Use in countries other than U.S.A. - Use IEC60227 certified PVC flexible power supply cord, marked H03VVF or H05VVF, 3C x 0.75 mm², rated min. 10A, 250V

■ The HIOS Screwdriver Models to Use with the T-45BL

Series	Model Name
BLG-ZERO1 Series	BLG-4000ZERO1/BLG-5000ZERO1/BLG-5000ZERO1-15*/BLG-5000ZERO1-HT*
BLG-BC2 Series	BLG-4000BC2/BLG-5000BC2/BLG-5000BC2-15*/BLG-5000BC2-HT*
BLG-BC1 Series	BLG-4000BC1/BLG-5000BC1/BLG-5000BC1-15*/BLG-5000BC1-HT*
BLG Series	BLG-4000/BLG-5000/BLG-5000-15*/BLG-5000-HT*
BLG-OPC Series	BLG-4000-OPC/BLG-5000-OPC/BLG-5000-OPC-15*/BLG-5000-OPC-HT*
BL Series	BL-2000/BL-3000/BL-5000/BL-5000-15*/BL-5020*
BL-OPC Series	BL-2000-OPC/BL-3000-OPC/BL-5000-OPC/BL-5020-OPC*

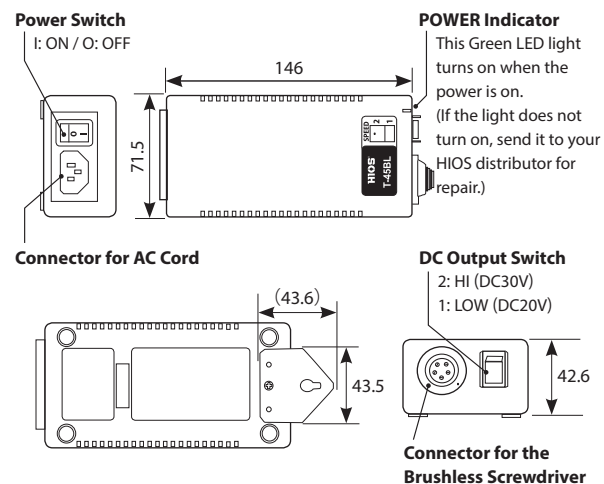
Use only 2(HI) power outlet with the * models. These models may not perform properly on 1(LOW) power outlet.

■ Specification

Model Name	T-45BL	
Primary Side	Input Voltage	AC100-240V (47-63Hz)
	Power Consumption	45VA-78VA Fuse capacity: 3.15A/250V (Built-in)
Secondary Output Voltage	HI(2): DC30V / LOW(1): DC20V (2-step switchable)	
External Dimensions (WxDxH)	71.5 × 146 × 42.6mm	
Weight	320g	
Number of Connectable Screwdrivers	1 unit	

■ Dimension and Part Names

Unit: mm



(Caution)

- The above dimensions do not include concavity and convexity.
- The above drawing is not a full-scale.

■ Accessories

- AC Cord 1.8m 1 piece
- Mounting Bracket 1 piece
- Screw 1 piece



■ Mounting Bracket

Make sure to use the attached Mounting Bracket and the screw to fix the unit securely if you install it on the work table, the wall, etc.

